

## Superior Engineering Design & Sensational Image Quality

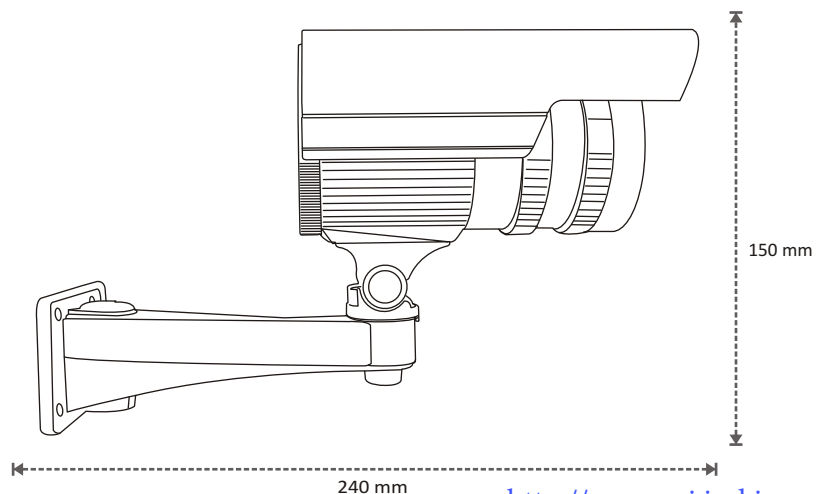
### AA-6049P-VSR7 IR Bullet Camera

#### Features :

- Outdoor IR Bullet CCTV Camera
- 1/3" prop. Image Sensor
- Super 600TV Lines Resolution
- High Intensity 72pcs IR LED Night Vision up to 45M
- 0 Lux Image Capturing at IR ON
- 2.8 - 12MM Auto IRIS Very Focal IR Corrected Lens
- BLC, AES Auto Enabled
- Gain Control Auto Enabled
- ATW Auto Enabled
- IP66 Housing with Cable Managed Wall Mount Bracket
- Supports 12V DC  $\pm$  10% Power range with Low Power Consumption



#### Dimension :



## Specifications :

Model	AA-6049P-VSR7	AA-6049N-VSR7
Signal System	PAL	NTSC
CCD Type	1/3" Prop. Image Sensor	
Scanning Frequency	PAL - H : 15.625 KHz V : 50 Hz	NTSC - H : 15.734 KHz V : 60 Hz
Effective Pixels	PAL -752(H) * 582(V)	NTSC - 768(H) * 494(V)
Horizontal Line Resolution	600 TVL	
Scanning Type	2:1 Interlace	
S/N Ratio	more than 65dB	
Electronic Shutter	AES:1/50s-1/100,000s	AES: 1/60s-1/100,000s
Lens Type	2.8 - 12MM Auto IRIS Very Focal Lens	
Lux Level(illumination)	0.05 Lux @ F 1.2 , 0 Lux with IR LED ON	
IR LED	72Pcs IRLED, 0.5ø	
IR Wave Length	850~880nm Infrared	
IR Vision	45 M	
Gamma characteristics	0.45 Default	
Gain Control	Auto Adjusted according to Lux Level(15dB to 30dB)	
White Balance	ATW	
Back Light Compensation	Auto	
Synchronous System	Internal Synchronization	
Video output	1.0Vp-p,75Ω, BNC Cable Connector	
Power Supply	DC 12V ± 10%, DC Cable Connector	
Power Consumption	< 700mA @ 12VDC	
Operating Temperature	-10°C ~ + 50°C	
IP Protection	Ip66	
Dimensions(W×D×H)	240mm (L) x 95(W)mm x 150mm(H)	
Weight (g)	944 g	
Enclosure	Power Coated Metal with Wall Mount Cable Managed Bracket	

\* Product specifications and appearance may be changed without prior notice due to improvements.



Scan with your  
Smart phone for  
more information

**AVTRON**

|  
<http://www.asi.ind.in>