

**MONARCH 560 TVL**

**AM-W568-NM**

**SWDR  
BOX CAMERA**



**Superior Engineering Design & Sensational Image Quality**

## AM-W568-NM

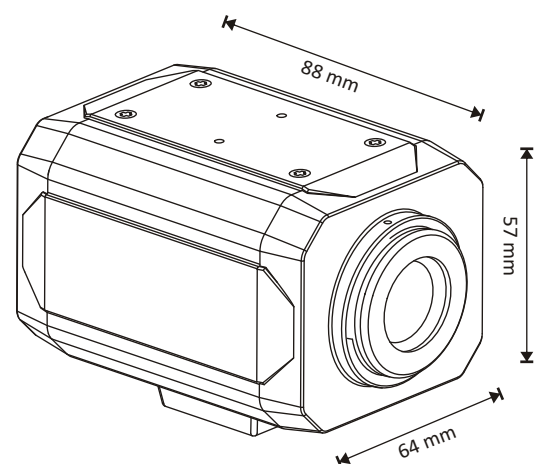
### SWDR BOX CAMERA

#### Features :

- Sony 1/3" Vertical Double Density Color IS
- Super High Resolution 560TVLine
- Powerful Super Wide Dynamic Range up to 52dB
- True & Soft Day/Night for all 24/7 Surveillance mode
- Support Extra Wide range of Sens-Up 2x to 256x
- Support Customization Area for BLC & HLC
- programmable Shutter & Exposure Mode Auto, Anti Flicker, Manual
- Support Digital Image Stabilizer
- Super Extra Digital Noise Reduction to Save the HDD Storage
- Low Illumination support up to 0.15Lux
- OSD Menu Control for easy & user friendly Customer Ease
- Support Digital Zooming up to 16X
- Image Flip(Horizontal & Vertical) for Fast/ Easy any Order installation
- Support DC/Video IRIS CS Mount Lens
- Remote OSD Control by RS485 Coaxial cable Threw Pelco Protocol
- Motion Detection, Privacy Masking, Camera ID
- Support 12VDC/24VAC Power ,(AC-230V Optional)



#### Dimension :



## Specifications :

Model	AM-W568P-NM	AM-W568P-NM
Signal System	PAL	NTSC
CCD Type	1/3" Vertical Double Density Color IS	
Effective Pixels	752(H) x 582(V)	768(H) x 494(V)
Scanning Frequency	H : 15.625 KHz V : 50 Hz	H : 15.734 KHz V : 60 Hz
Horizontal TVLine Resolution	560TVL at Color	
WDR	On/Off	
Day/Night	Color / B&W / Auto / EXTERN	
Digital Noise Reduction	ON / OFF (1~32 Level)	
Sens-Up	AUTO / OFF/manual (Selectable x2 ~ x256 )	
Lux Level(illumination)	0.15Lux at @ Color , 0.03 Lux @ B&W, 0.0005Lux @ sens-up On @ F1.2	
Gamma	Adjustable	
Gain Control(AGC)	Low / High / Off	
White Balance	ATW / AWC / Manual / Outdoor / Indoor	
Light Compensation	Off/ BLC / HLC	
Color Rolling Control	Yes	
Digital Control	Digital PTZ up to X10, Horizontal/Vertical Flip, Freeze, Mirror	
Image Stabilizer	On/Off	
Camera ID Name	On/Off	
Privacy Masking	Up to 12 Adjustable Zones	
OSD Menu Control	Yes	
Motion Detection	ON / OFF Adjustable 8 Zone	
Image Control	Brightness / Contrast / Red & Blue Gain / Sharpness	
S/N Ratio	52dB @ AGC Off	

## Specifications :

Shutter Speed Control	AUTO(1 50/60s-1/12 0,000s) / FIXED / A.FLK / Manual
IRIS Control	DC/Video
Lens Mount	C/CS Mount (Screw Lock)
Synchronous System	Internal
Video output	1.0Vp-p,75Ω, BNC
Power Supply	24V AC / 12V +- 10%, 3P Connector
Power Consumption	<260mA @ 12VDC, 170mA @ 24VAC
Optional @ 230VAC	<5Watt
Operating Temperature	-10°C ~ + 50°C
Operating Humidity	30% ~ 90% RH
Dimensions(WxDxH)	64mm (W) x 88 mm (D) x 57mm (H)
Weight (g)	188 g
Enclosure	Dust Resistant Fine Particles Metal

\* Product specifications and appearance may be changed without prior notice due to improvements.



Scan with your  
Smart phone for  
more information

**AVTRON**

<http://www.asi.ind.in>