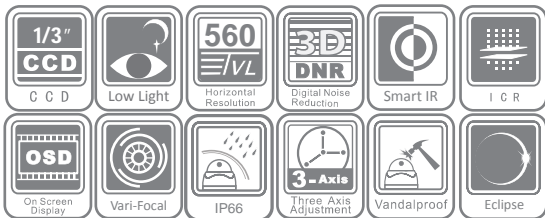


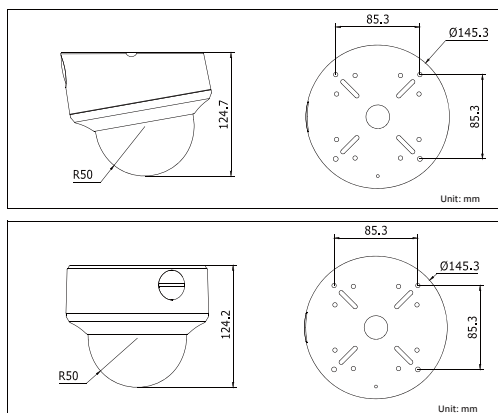
DS-2CC5173P(N)-VP(IR)(H) Vandal-proof Dome Camera



Key Features

- 1/3" Sony Super HAD CCD II
- 560 TVL resolution
- Low illumination
- True day / night
- 3-axis adjustment
- IP66 rating

Dimension



Accessories



Specifications

DS-2CC5173P(N)-VP(IR)(H)	
Camera	
Image sensor	1/3" Sony Super HAD CCD II
Signal system	PAL / NTSC
Effective pixels	PAL: 752 (H) × 582 (V) NTSC: 768 (H) × 494 (V)
Min. illumination	Color: 0.1 lux@F1.2, AGC on, 0.0003 lux@F1.2, AGC on, sens-up × 256 Color: 0.14 lux@F1.4, AGC on, 0.0004 lux@F1.4, AGC on, sens-up × 256 B/W: 0.01 lux@F1.2, AGC on, 0.00003 lux@F1.2, AGC on, sens-up × 256 B/W: 0.014 lux@F1.4, AGC on, 0.00004 lux@F1.4, AGC on, sens-up × 256 -IR: 0.1 lux@F1.2, AGC on, 0.0003 lux@F1.2, AGC on, sens-up × 256, 0 lux with IR 0.14 lux@F1.4, AGC on, 0.0004 lux@F1.4, AGC on, sens-up × 256, 0 lux with IR
Shutter time	PAL: 1/50s ~ 1/100,000s NTSC: 1/60s ~ 1/100,000s
Lens	2.8 ~ 12 mm @F1.4, Angle of view: 92° ~ 27.2°
Lens mount	Φ14
Auto iris	DC drive
Angle adjustment	Pan: 0 ~ 355°, tilt: 0 ~ 80°, rotation: ± 90°
Day & night	IR cut filter with auto switch
Horizontal resolution	Color: 560 TVL, B/W: 600 TVL
Synchronization	Internal / power synchronization
Video output	1Vp-p composite output (75 Ω / BNC); Test monitor out [1Vp-p composite output (75 Ω / BNC), device line]
S/N ratio	More than 52 dB
Menu	
Camera ID	On / off (15 letters, adjusted position)
Auto gain control	Low / middle / high / off
D/N mode	Auto / day / night
White balance	Auto trace WB1 / auto trace WB2 / manual / auto control
Privacy mask	On / off, maximum 8 zones
Motion detection	On / off
BLC	Area / value / off
HLS	On / off
Digital WDR	Indoor / outdoor / off
Anti-flicker	On / off
Language	English / Chinese
Video	SMART IR, digital WDR, excessive highlight compensation, gamma correction, digital zoom, digital noise reduction, POS / NEG, mirror, sharpness, Y, C, blemish detection
General	
Operating conditions	-10°C ~ 60°C (14°F ~ 140°F) Humidity 90% or less (non-condensing) -H: -40°C ~ 60°C (-40°F ~ 140°F) with heater and fan on
Power supply	24 VAC ± 10%, 12 VDC ± 10% -H: 24 VAC ± 10%
Weather-proof rating	IP66
Heater	-H: support
IR range	-IR: approx. 20 ~ 30m
Power consumption	4W max. -IR: 12W max. -H: 16W max. -IRH: 24W max.
Impact protection	IEC60068-2-75 test, Eh, 50J; EN50102, up to IK10.
Dimensions	Φ 145.3 × 124.2 mm (Φ 5.72" × 4.89")
Weight	2000g (4.40 lbs)

Available models

DS-2CC5173P-VP, DS-2CC5173P-VPIR, DS-2CC5173P-VPH, DS-2CC5173P-VPIRH
DS-2CC5173N-VP, DS-2CC5173N-VPIR, DS-2CC5173N-VPH, DS-2CC5173N-VPIRH