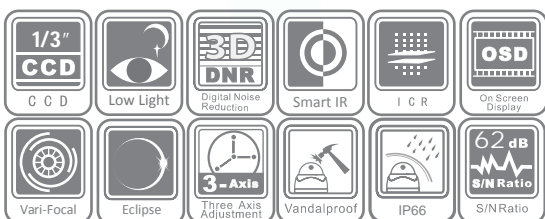


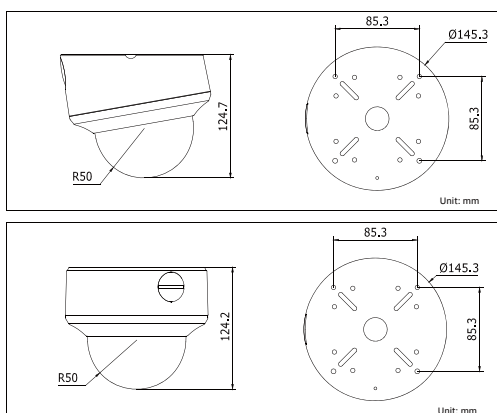
DS-2CC5193P-VP(IR)(H) Vandal-proof Dome Camera



Key Features

- 1/3" Sony EXVIEW HAD CCD II
- Low illumination
- True day / night
- 3-axis adjustment
- 3D digital noise reduction
- IP66 rating

Dimensions



Accessories



Specifications

DS-2CC5193P-VP(IR)(H)	
Camera	
Image sensor	1/3" Sony EXVIEW HAD CCD II
Signal system	PAL / NTSC
Effective pixels	PAL: 976 (H) × 582 (V), NTSC: 976 (H) × 494 (V)
Min. illumination	Color: 0.01 lux@F1.2, AGC on, 0.0001 lux@F1.2, AGC on, sens-up × 512 Color: 0.014 lux@F1.4, AGC on, 0.00014 lux@F1.4, AGC on, sens-up × 512 B/W: 0.001 lux@F1.2, AGC on, 0.00001 lux@F1.2, AGC on, sens-up × 512 B/W: 0.0014 lux@F1.4, AGC on, 0.000014 lux@F1.4, AGC on, sens-up × 512 -IR: 0.01 lux@F1.2, AGC on, 0.0001 lux@F1.2, AGC on, sens-up × 512, 0 lux with IR 0.014 lux@F1.4, AGC on, 0.00014 lux@F1.4, AGC on, sens-up × 512, 0 lux with IR
Shutter time	PAL: 1/50s ~ 1/100,000s, NTSC: 1/60s ~ 1/100,000s
Lens	2.8 ~ 12mm @F1.4, Angle of view: 92° ~ 27.2°
Lens mount	Φ 14
Auto iris	DC drive
Angle adjustment	Pan: 0 ~ 355°, tilt: 0 ~ 80°, rotation: ± 90°
Day & night	IR cut filter with auto switch
Horizontal resolution	Color: 650 TVL, B/W: 700 TVL
Synchronization	Internal / power synchronization
Video output	1Vp-p composite output (75 Ω / BNC); Test monitor out [1Vp-p composite output (75 Ω / BNC), device line]
S/N ratio	More than 62dB
Menu	
Camera ID	On / off (16 letters, adjusted position)
Auto gain control	Low / middle / high / off
D/N mode	Auto 1 / auto 2 / day / night
White balance	Auto trace WB1 / auto trace WB2 / manual / auto control
Privacy mask	On / off, maximum 12 zones
Motion detection	On / off
BLC	Area / value / off
HLS	On / off
Digital WDR	On / off
Anti-flicker	On / off
Language	English / Chinese
Video	SMART IR, digital WDR, excessive highlight compensation, gamma correction, digital zoom, digital noise reduction, POS / NEG, mirror, sharpness, Y, C, blemish detection
Scene	Indoor standard, Indoor backlight, outdoor, low illumination, IR standard, customize
General	
Operating conditions	-10°C ~ 60°C (14°F ~ 140°F), Humidity 90% or less (non-condensing) -H: -40°C ~ 60°C (-40°F ~ 140°F) with heater and fan on
Power supply	24 VAC ± 10%, 12 VDC ± 10% (-H: 24 VAC ± 10%)
Weather-proof rating	IP66
Heater	-H: support
IR range	-IR: approx. 20 ~ 30m
Power consumption	5W max. -IR: 13W max. -H: 17W max. -IRH: 25W max.
Impact protection	IEC60068-2-75 test, Eh, 50J; EN50102, up to IK10.
Dimensions	Φ 145.3 × 124.2 mm (Φ 5.72" × 4.89")
Weight	2000g (4.40 lbs)

Available models

DS-2CC5193P-VP, DS-2CC5193P-VP-IR, DS-2CC5193P-VP-H, DS-2CC5193P-VP-IR-H