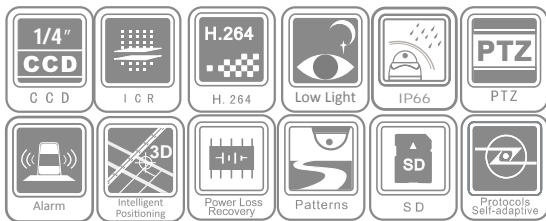


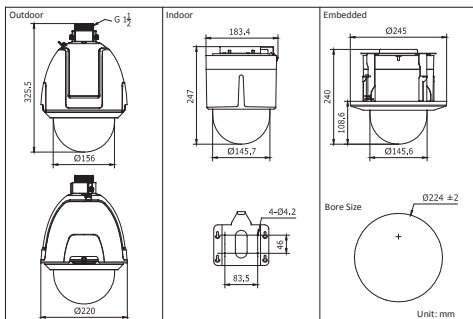
DS-2DF1-512/514/516/518 Network High Speed Dome



Key features

- 1/4" Sony Super HAD CCD
- True day / night
- H.264 video compression
- 3D intelligent positioning function
- Powerful PTZ control
- Programmable alarm triggering
- IP66 rating
- Up to 36x optical zoom

Dimensions



Accessories



DS-1614ZJ
(Long-arm Wall Mount Bracket)

Specifications

	DS-2DF1-512 (outdoor) DS-2DF1-502 (indoor) DS-2DF1-532 (in-ceiling)	DS-2DF1-514 (outdoor) DS-2DF1-504 (indoor) DS-2DF1-534 (in-ceiling)	DS-2DF1-516 (outdoor) DS-2DF1-506 (indoor) DS-2DF1-536 (in-ceiling)	DS-2DF1-518 (outdoor) DS-2DF1-508 (indoor) DS-2DF1-538 (in-ceiling)
Camera				
Image sensor	1/4" Sony Super HAD CCD			
Effective pixel	PAL: 752 (H) × 582 (V), NTSC: 768 (H) × 494 (V)			
Horizontal resolution	540 TVL Color: 540 TVL, B/W: 570 TVL			
Signal system	PAL / NTSC			
Min. illumination	0.1Lux/F1.6	Color: 0.2 lux@F1.6, B/W: 0.02 lux@F1.6	Color: 0.2 lux@F1.4, B/W: 0.02 lux@F1.4	Color: 0.2 lux@F1.6, B/W: 0.02 lux@F1.6
White balance	Auto / manual / ATW / indoor / outdoor			
AGC	Auto / manual			
S/N ratio	≥ 50dB			
BLC	On / off			
Shutter time	PAL:1/50 ~ 1/10,000s, NTSC:1/60 ~ 1/10,000s	PAL:1/50 ~ 1/10,000s, NTSC:1/60 ~ 1/10,000s	PAL:1 ~ 1/10,000s, NTSC:1 ~ 1/10,000s	PAL:1 ~ 1/10,000s, NTSC:1 ~ 1/10,000s
Day & night	Electronic		IR cut filter	
Digital zoom	16x			
Privacy Mask	24 privacy masks programmable			
Focus model	Auto / semi-automatic / manual			
Lens				
Focal length	3.9 ~ 85.8mm, 22X	3.84 ~ 88.4 mm, 23x	3.5 ~ 105mm, 30x	3.4 ~ 122.4mm, 36x
Zoom speed	Approx.4.3s (Optical Wide-Tele)	Approx.5.1s (optical Wide-Tele)	Approx.5.4s (optical Wide-Tele)	Approx.5.4s (optical Wide-Tele)
Angle of view	58.0 ~ 2.22° (Wide-Tele)	52.2 ~ 2.36° (Wide-Tele)	56.4 ~ 2.0° (Wide-Tele)	57.8 ~ 1.7° (Wide-Tele)
Min. working distance	10 ~ 1,000mm (Wide-Tele)	10 ~ 1,200mm (Wide-Tele)	10 ~ 1,000mm (Wide-Tele)	10 ~ 1,000mm (Wide-Tele)
Aperture range	F1.6 ~ F3.7	F1.6 ~ F4.5	F1.4 ~ F3.7	F1.6 ~ F4.5
Pan and tilt				
Pan range	360° endless			
Pan speed	Pan manual speed: 0.1° ~ 300°/s, pan preset speed: 540°/s			
Tilt range	-5° ~ 90° (auto flip)	-5° ~ 90° (auto flip)	-5° ~ 185° (Auto Mirror)	-5° ~ 185° (Auto Mirror)
Tilt speed	Tilt manual speed: 0.1° ~ 240°/s, tilt preset speed: 400°/s			
Proportional zoom	Rotation speed can be adjusted automatically according to zoom multiples			
Number of preset	256			
Patrol	8 patrols, up to 32 presets per patrol			
Pattern	4 patterns, with the total recording time not less than 10 min			
Power loss recovery	Support			
Park action	Preset / patrol / pattern / pan scan / tilt scan / random scan / frame scan / panorama scan			
PTZ position display	On / off			
Freeze frame	—	—	Support	Support
Alarm				
Alarm input	2 (7 alarm inputs optional)			
Alarm output	2 relay outputs, alarm response actions configurable			
Alarm action	Preset / patrol / pattern / pan scan / tilt scan / random scan / frame scan / panorama scan / relay output			
Input / output				
Monitor output	1.0V[p-p] / 75Ω, NTSC (or PAL) composite, BNC			
Audio input	Audio input (LINE input), 2-2.4V[p-p]; output impedance: 1KΩ, ±10%			
Audio output	Line level, impedance: 600Ω			
Network				
Ethernet	10 base-T / 100 base-TX, RJ45 connector			
Max. image resolution	PAL: 704 × 576, NTSC: 704 × 480			
Frame rate	PAL: 25 fps (704 × 576), NTSC: 30 fps (704 × 480)			
Image compression	H.264 / MJPEG			
Audio compression	G.711 / 16kbps			
Protocols	TCP/IP, HTTP, DHCP, DNS, RTP/RTCP, RTSP, PPPoE, SMTP, NTP (FTP, SNMP optional)			
No. of simultaneous users	Up to 6 users			
Dual streams	Support			
Mini SD memory card	Manual REC / alarm REC. Built-in SD/SDHC slot, up to 32GB			
User / host level	3 levels: administrator, camera control, live view only			
Security measures	User authentication (ID and PW), host authentication (MAC address)			
Client GUI				
Camera control	Pan / tilt, zoom, focus, click centering, drag zoom, iris, preset position call and program, auto mode.			
Camera name	Up to 18 characters			
Date & time display	Time: week: date, 6 formats on the client			
Reading patrol message	Display and reading of preset message contained in each patrol via client software			
Fiber interface (available for fiber dome only)				
Data mode	10 base-T / 100 base-TX			
Physical interface	FC (SC optional)			
Fiber wavelength	TX1310 / RX1550nm			
Fiber type	Single fiber / single mode			
Transmission distance	20km, with 40km, 60km and 80km optional			
General				
Menu language	English			
RS-485 protocols	HIKVISION, Pelco-P, Pelco-D, self-adaptive			
Power supply	24 VAC (12 VDC optional)			
Power consumption	Outdoor dome: Max.45 W ; Indoor/In-ceiling dome: Max.20 W			
Working temperature / humidity	-30°C ~ 65°C (-22°F ~ 149°F) (outdoor) / -10°C ~ 50°C (14°F ~ 122°F) (indoor), 90% or less			
Protection level	IP66 standard (outdoor), TVS 3,000V lightning protection, surge protection and voltage transient protection			
Mounting	Various mounting modes optional			
Dimensions	Φ 220 × 325.5mm (Φ 8.66" × 12.81") (outdoor), Φ 183.4 × 247mm (Φ 7.22" × 9.72") (indoor) Φ 245 × 240mm (Φ 9.65" × 9.45") (in-ceiling)			
Weight (approx.)	5kg (11.02lbs)			