

## HB74

www.honeywellvideo.com

### STANDARD RESOLUTION FIXED LENS DAY/NIGHT IR INDOOR/OUTDOOR BULLET CAMERA

The Performance Series rounds out Honeywell's camera portfolio with a variety of indoor, outdoor and low-light cameras that lets end users pick the perfect camera for virtually any installation. Ideal for a diverse range of applications, the Performance Series includes a wide range of high performing IR bullet cameras and minidomes that are easy to install and even easier to use.

The HB74 IR bullet-style camera comes standard with IR illumination, making it perfect for 24/7 surveillance. The HB74 utilizes smart infrared technology. Auto LED brightness adjustment provides even distribution of the IR, eliminating excessive illumination and washed out video. When the ambient light drops below a factory-defined threshold, the 12 IR LEDs activate and the camera changes automatically from color to black-and-white mode, capturing perfect color pictures by day and clear black-and-white images at night.

The 3.8 mm fixed lens offers a wide field of view to complement the 12 IR LEDs that can illuminate up to 45 feet (13.7 m), depending on scene reflectance. The 420 TVL sensor provides clean images in day and night conditions.

The HB74 installs quickly and easily. It comes standard with a two-conductor pigtail that connects to the barrel connector so there is no need to cut wires during installation. The mounting bracket installs quickly and securely with three screws on walls or ceilings, indoors or out.

#### Market Opportunities

The HB74 is a cost-effective surveillance solution for applications that experience changing light conditions throughout the day and require extra illumination at night. The HB74 offers a simple yet solid design that provides optimum performance for both indoor and outdoor applications, including lobbies, atria, foyers, vestibules, gated entrances, loading docks and driveways.

#### Features

- 1/3" interline transfer CCD
- Discreet, bullet-style camera with 12 IR LEDs
- 3.8 mm fixed lens
- Smart IR for even distribution of the IR to prevent excessive illumination
- Standard resolution color: 420 TV lines
- Day/Night function
- Easy to install mounting bracket reduces installation time
- Weatherproof housing with IP66 rating
- Equalization valve prevents vacuum effect caused by sudden changes in barometric pressure
- IR LED visible range of up to 45 ft. (13.7 m), depending on scene reflectance
- Two-conductor pigtail for connection to barrel connector
- 12 V DC input



# HB74

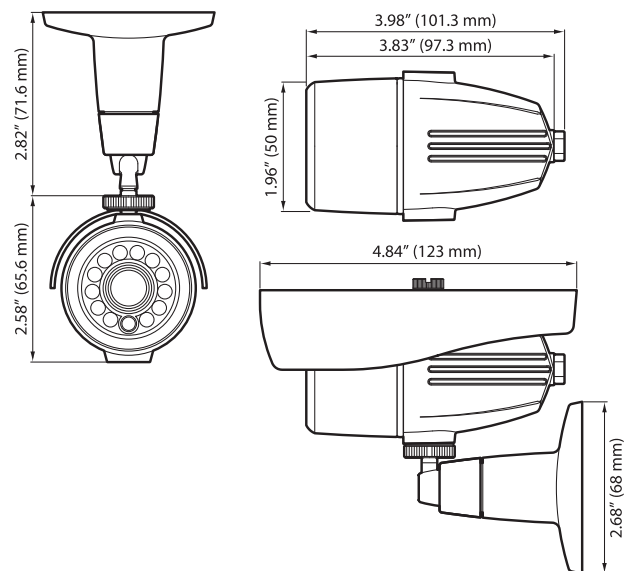
www.honeywellvideo.com

## SPECIFICATIONS

Operational	
Video Standard	NTSC
Scanning System	525/60 lines
Image Sensor	1/3" High Sensitivity CCD
Number of Pixels (H x V)	510 x 492
Minimum Illumination	0 lux night, operates in complete darkness (IR LEDs on)
Horizontal Resolution	420 TVL
Video Output	1.0 Vp-p, 75 ohms
Sync System	12 V DC: Internal
S/N Ratio	50 dB or more (AGC off)
Auto Gain Control	Auto
Automatic Electronic Shutter	1/60-1/120,000 s
Lens Type (IR Corrected)	Built-in fixed lens (f=3.8 mm)
IR LEDs	850 nm, 12 LEDs
IR Illumination Distance	Up to 45 ft. (13.7 m), depending on scene reflectance
White Balance	Auto
Electrical	
Input Voltage	12 V DC
Input Range	12 V DC $\pm$ 10%
Power Consumption	3.6 W (max) / 300 mA with IR LEDs on
Mechanical	
Dimensions (W x H x D)	4.84" x 5.40" x 1.96" (123.0 mm x 137.2 mm x 50.0 mm), including sunshield
Weight	1.3 lb. (0.6 kg)
Construction	Housing: Brushed and anodized aluminum with sunshield Finish: Brushed and anodized aluminum
Connectors	Main Video: BNC connector Power Input: 2.1 mm plug

Environmental	
Temperature	Operating: 14°F to 122°F (-10°C to 50°C) Storage: -4°F to 140°F (-20°C to 60°C)
Rating	IP66
Recommended Accessories	
Power Supply	
HPT12DC500	12 V DC/500 mA Plug-in Regulated 2.1 mm Coaxial Plug UL Listed/ CSA Certified
Regulatory	
Emissions	FCC, Part 15B, Class A
Immunity	EN 50130-4

### Dimensions



**NOTE:** Honeywell reserves the right, without notification, to make changes in product design or specifications.

Ordering	
HB74	Day/Night Indoor/Outdoor IR Bullet Camera, 1/3" CCD, 420 TVL, 3.8 mm Fixed Lens, 12 IR LEDs, 12 V DC, NTSC

**Automation and Control Solutions**  
Honeywell Security Products Americas  
2700 Blankenbaker Pkwy, Suite 150  
Louisville, KY 40299  
1.800.323.4576  
www.honeywell.com

L/HB74D/D  
September 2012  
© 2012 Honeywell International Inc.

# Honeywell

www.asi.ind.in