

HCBD Series

ULTRA COMPACT COLOR WIDE DYNAMIC CAMERAS

The Honeywell HCBWD Series cameras offer 1/3" CCD Digital Signal Processing and Wide Dynamic (DSP WD) technology with a compact 1.73" x 1.73" (44 mm x 44 mm) footprint. The ultra small size makes this camera an ideal choice when space is a constraint. Each HCBWD camera captures visible details in areas where both very bright and dark scenes exist.

The feature rich HCBWD Series has a sensitivity rating of 1.0 lux at F2.0 and outstanding resolution of 480 TV lines. It is easy to install and can be powered from 12 VDC or 24 VAC (with supplied 24 VAC to 12 VDC converter).

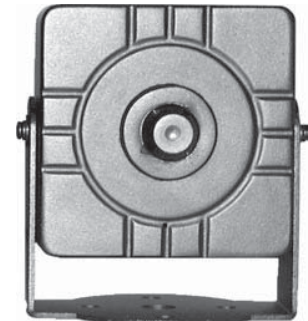
Designed for flexibility, the HCBWD cameras are available either fully assembled with a semi-pinhole lens (3.0, 3.7 or 4.3 mm), or camera only for use with the Honeywell Quick Change Lenses.

Market Opportunities

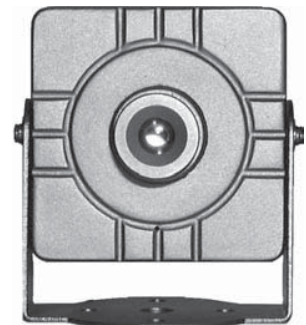
Designed to install quickly and perform well even in low light conditions, the HCBWD is the ideal solution for installations such as ATMs, hotels, loading docks or applications that require a small camera to work in high contrast lighting environments. The wide range of camera and lens offerings makes Honeywell your partner of choice in video surveillance.

Features

- 1/3" Sony Interline Double Speed CCD
- 480 TV lines of resolution
- Compact size 1.73" x 1.73" (44 mm x 44 mm)
- 12 VDC or 24 VAC (with supplied 24 VAC to 12 VDC converter)
- Excellent low-light capability
- Dynamic range is 128 times wider than conventional cameras
- Flexible offering utilizing Honeywell Quick Change Lens Series
- U-bracket for mounting (included)



HCBWDHR30



HCBWDHR00
Shown with Fixed Lens Option



HCBWDHRVF
Shown with Vari-focal Auto Iris Lens Option

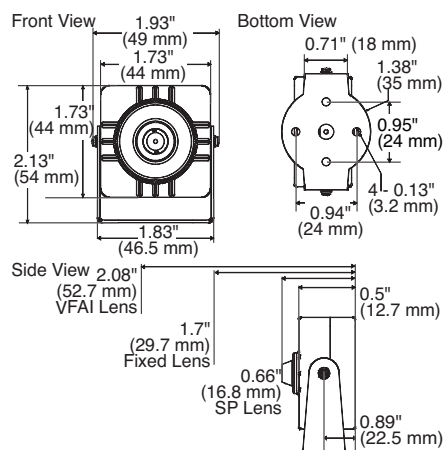
HCBD Series

www.honeywellvideo.com

SPECIFICATIONS

Operational	
Video Standard	NTSC
Scanning System	525/60 lines
Image Sensor	1/3" Sony Interline Double Speed color CCD
Number of Pixels (H x V)	768 x 494
Minimum Illumination	1.0 lux @ F2.0
Horizontal Resolution	480 TVL
Video Output	1 Vp-p @ 75 Ohms
Sync System	Internal
S/N Ratio	50 dB or more (AGC off)
Auto Gain Control	Auto (4 – 26 dB max)
Automatic Electronic Shutter	1/60 – 1/100,000 sec
White Balance	ATW
Gamma	0.45
Dynamic Range	64 dB (approx.)
Electrical	
Input Voltage	12 VDC or 24 VAC (with supplied 24 VAC to 12 VAC converter)
Input Range	16 – 30 VDC, 20 – 28 VAC (with supplied 24 VAC to 12 VDC converter)
Surge Suppression	1.5 kW transient
Power Consumption	3.4 W (max)
Mechanical	
Dimensions	See diagram
Weight	0.176 lb (0.08 kg) camera only
Construction	Housing: Aluminum Finish: Black powdercoat
Lens Mount	Two thread options: M12 – Fixed lens, M13 – Vari-focal lens

Environmental	
Temperature	Operating: -14°F to 131°F (-10°C to 55°C) Storage: -22°F to 158°F (-30°C to 70°C)
Relative Humidity	Operating: 0 to 90%, non-condensing Storage: 0 to 95%, non-condensing
Regulatory	
Emissions	FCC, CE (EN55013)
Safety	EU: 73/23/EEC LVD
Accessories	
Quick Change Lenses	(**Sold separately)
HLQ029	2.9 mm Fixed Lens
HLQ036	3.6 mm Fixed Lens
HLQ060	6.0 mm Fixed Lens
HLQ080	8.0 mm Fixed Lens
HLQ120	12 mm Fixed Lens
HLQAVI	4.0 – 9.0 mm Vari-focal Auto Iris Lens
HLQAV2	2.6 – 6.0 mm Vari-focal Auto Iris Lens
HLQAV3	9.0 – 22.0 mm Vari-focal Auto Iris Lens
HLQVP4	2.9, 3.6, 6.0, 8.0 mm VFAI Variety Pack
Transformers	
HPT2420	24 VAC, 20 VA class 2 plug-in with thermal cut-out
HPT12DC500	12 VDC, 500 mA plug-in regulated 2.1 mm coaxial plug UL Listed/CSA Certified



Ordering	
HCBDHR30	1/3" CCD DSP WD Compact Color Camera, 3.0 mm Semi-pinhole Lens, 480 TVL, NTSC
HCBDHR37	1/3" CCD DSP WD Compact Color Camera, 3.7 mm Semi-pinhole Lens, 480 TVL, NTSC
HCBDHR43	1/3" CCD DSP WD Compact Color Camera, 4.3 mm Semi-pinhole Lens, 480 TVL, NTSC
HCBDHR00	1/3" CCD DSP WD Compact Color Camera only, for use with Quick Change Fixed Lenses**, 480 TVL, NTSC
HCBDHRVF	1/3" CCD DSP WD Compact Color Camera only, for use with Quick Change VFAI Lenses**, 480 TVL, NTSC

NOTE: Honeywell reserves the right, without notification, to make changes in product design or specifications.

Honeywell Security

Honeywell Video Systems
2700 Blankenbaker Pkwy, Suite 150
Louisville, KY 40299
1.800.796.CCTV
www.honeywell.com

HV06027
L/HCBD/D
August 2006
© 2006 Honeywell International Inc.

Honeywell

www.asi.ind.in