

## DH-IPC-A7-I

### 1/4" CMOS VGA Pan/Tilt Network Camera



**DH-IPC-A7-I:** 1/4" CMOS, 25/30fps at VGA, ICR D&N, IR LED, Built-in Pan/Tilt driver

### Features

- > 1/4" CMOS image sensor
- > High-performance TI DaVinci series DSP
- > H.264 video compression and JPEG image capture
- > 25/30fps at VGA/CIF/QVGA/QCIF/QQVGA resolution
- > Dual encoding streams supported
- > Support ICR true Day/Night
- > 2 /1channel alarm IN/OUT(I/O Port cable Extension)
- > Built-in Pan/Tilt driver, support 3D intelligent positioning
- > Built-in high performance IR LEDs(7~10 meters)
- > Built-in 1 channel PIR sensor
- > Max 32GB Hot-swappable SD card for local storage
- > Built-in Web server, NVR, CMS(PSS/DSS) & DMSS

# DH-IPC-A7-I

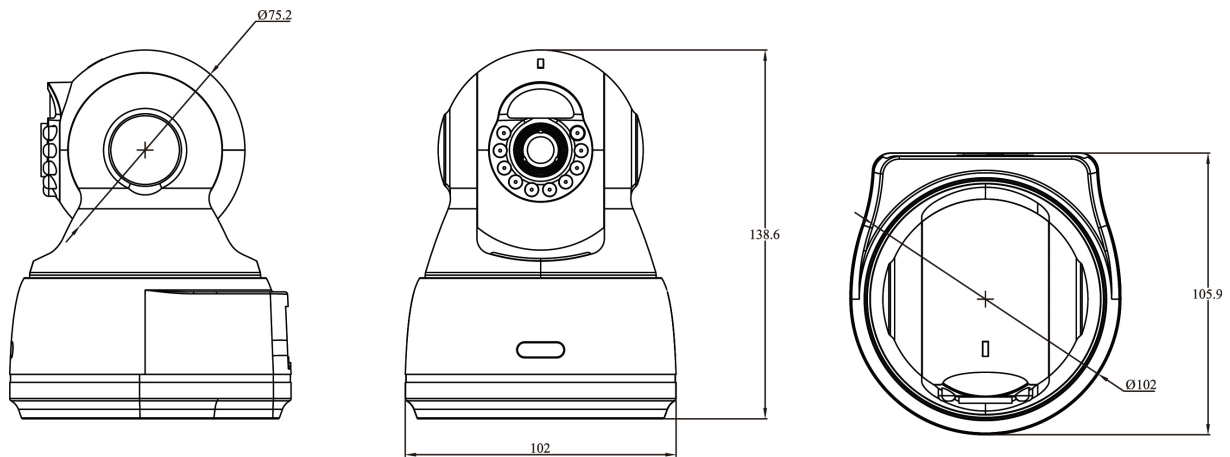
## Specifications

<b>Model</b>	<b>DH-IPC-A7-I</b>
<b>General</b>	
Processor	TI DaVinci Series DSP
Operating System	Embedded LINUX
Resource	Simultaneous remote monitoring, local recording and remote control
User Interface	WEB, CMS(DSS/ PSS), DMSS, NVR
<b>Camera</b>	
Image Sensor	1/4" CMOS
Effective Pixels	640(H)×480(V)
Electronic Shutter	Auto/Manual, 1/50~1/10000s
Mini. Illumination	0.5LUX/F1.8, 0LUX/F1.8(IR ON)
Signal Noise Ratio	>50dB
Gain Control	Auto
White Balance	Auto
Day/Night	ICR
Video Format	PAL/NTSC
Lens	M12-mount , Fixed focal lens, 4.3mm, F1.8
Pan/Tilt	Horizontal: ±150°, Vertical: -30°~90°
<b>Video</b>	
Video Compression	H.264
Resolution	VGA(640×480) / CIF(352×288/352×240) / QVGA(320×240) / QCIF(176×144/176×128) / QQVGA(160×120)
Encoding Speed	Main Stream: VGA/CIF/QVGA/QCIF/QQVGA (1~25/30fps) Extra Stream: VGA/CIF/QVGA/ QCIF/QQVGA(1~25/30fps)
Bit Rate	32K~3Mbps
Snapshot	Fastest 1fps JPEG capture
<b>Audio</b>	
Audio Compression	PCM(64Kbps) / G.711a(32Kbps)
Input	1 channel 3.5mm Jack Mic in
Output	1 channel 3.5mm Jack Speak out
<b>Network</b>	
Ethernet	RJ-45 (10/100Base-T)
Network Functions	HTTP, TCP/IP, ICMP, RTSP, RTP, UDP, SMTP, NTP, DHCP, DNS, IP Filter, PPPOE, DDNS, FTP, , Alarm Server
Remote Operation	Monitor, PTZ control, Playback, System setting, File download, Log information, Maintenance & Upgrade
<b>Auxiliary Interface</b>	
SD Card	Max 32GB, local storage
Alarm I/O	2/1 alarm in/out
PIR	1 PIR sensor
<b>Environmental</b>	
Power Supply	DC 5V

## DH-IPC-A7-I

Power Consumption	<3W
IR LED	7~10 meters
Operating Environment	-10°C~+55°C, 10%~90%
Dimension	106mm×102mm×138mm
Weight	340g
Mount	Desktop or Wall

### Dimensions (mm)



---

### Dahua Technology Co., Ltd.

1187 BinAn Road, Binjiang District, Hangzhou, China

Tel: +86-571-87688883

Fax: +86-571-87688815

Email: [overseas@dahuatech.com](mailto:overseas@dahuatech.com)

[www.dahuatech.com](http://www.dahuatech.com)

\*Design and specifications are subject to change without notice.

© 2010 Dahua Technology Co., Ltd.