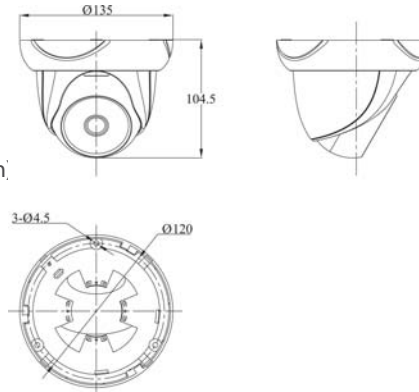




### Features

- > 1/3" SONY EXview HAD CCD II & Effio-E DSP
- > High resolution of 700TVL(Color)
- > Mini. Illumination of 0.02Lux@F1.2, 0Lux(IR On)
- > AGC, ATW, BLC > Built-in IR LEDs (5m~50m)
- > Optional Lens (2.8mm, 3.6mm, 6mm, 8mm,12mm, 16mm)
- > IP66, DC12V

### Dimensions (mm)



### Specifications

Model	DH-CA-DW480C
<b>Camera</b>	
Image Sensor	1/3" EXview HAD CCD II
Video Format	PAL
Effective Pixels	976(H) x582(V), 570K pixels
Horizontal Resolution	Color: 700TVL
Mini. Illumination	0.02Lux@F1.2
Electronic Shutter	Auto: 1/50s~1/100,000s
AGC	Auto
White Balance	ATW
Backlight	BLC
Synchronization	Internal
S/N Ratio	>60dB
Video Output	1Vp-p Composite Output (75Ω/BNC)
<b>Lens</b>	
Focal Length	-IR0: default: 3.6mm, (2.8mm, 6mm optional) -IR1: default: 6mm, (3.6mm, 8mm optional) -IR2: default: 12mm, (6mm, 8mm optional) -IR3: default: 16mm, (8mm, 12mm optional)
Lens Type	Manual
<b>General</b>	
Ingress Protection	IP 66
IR LED Length	-IR0: 5m~10m -IR1: 10m~20m -IR2: 20m~30m -IR3: 30m~50m
Power Supply	DC12V±10%
Power Consumption	Max 7W
Working Temperature	-30°C~+60°C
Dimension	Φ135mm x 104.5mm
Weight	600g