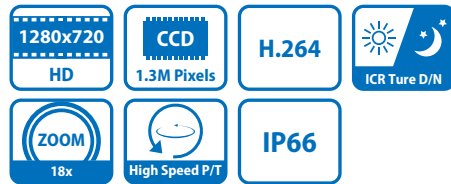


DH-SD6680/6681-HN

18x 1.3Megapixel HD Network PTZ Dome Camera



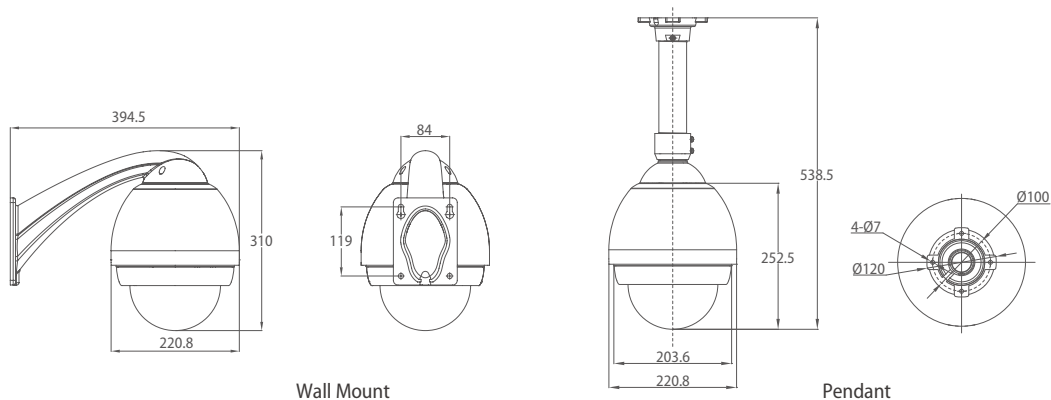
DH-SD6680-HN: 18x zoom, 1.3Megapixel CCD, 15fps at 1.3M and 25/30fps at 720P, Dahua HD Camera Module

DH-SD6681-HN: 18x zoom, 1.3Megapixel CCD, 15fps at 1.3M and 25/30fps at 720P, Hitachi HD Camera Module

Features

- 1/4" 1.3 Megapixel SONY Progressive Scan CCD
- Powerful 18x optical zoom(4.5mm~81mm): DH-SD6680-HN
- Powerful 18x optical zoom(4.7mm~84.6mm): DH-SD6681-HN
- H.264 video compression and JPEG image capture
- 15fps with 1.3M(1280×960) and 25/30fps with 720P/D1/VGA resolution
- Day/Night(ICR), Auto iris, Auto focus, AWB
- Max 400°/s pan & tilt speed, 360° endless pan rotation
- Up to 200 Presets, 5 Auto Scan, 8 Tour, 5 Pattern
- Idle Motion: Activation of Preset/Scan/Tour/Pattern after idle time
- Time Task: Auto activation of Preset/Scan/Tour/Pattern by pre-set time
- Power up action: Auto restore to previous PTZ & Lens status after power up
- 7/2 channel alarm input/output
- Max 32GB Hot-swappable SD card for local storage
- 3D positioning control at DH-SD protocol
- IP 66 protection level, constant temperature & anti-fog
- AMP slot for easy installation
- Built-in web server, NVR, MSS & CMS

Dimensions (mm)



Specifications

Model		DH-SD6680-HN	DH-SD6681-HN
Camera	Image Sensor	1/4" Progressive Scan CCD	
	Effective Pixels	1.3M, 1296(H) x 966(V)	
	Focal Length	4.5mm(Wide)~81mm(Tele), F1.6~F2.7	4.7mm(Wide)~84.6mm(Tele), F1.6~F2.8
	FOV	51.6°(Wide)~3.1°(Tele)	55.2°(Wide)~3.2°(Tele)
	Optical Zoom	18X	
	Digital Zoom	12X	
	Min. Illumination	0.1Lux/F1.6(Color), 0.01Lux/F1.6(B/W)	0.5Lux/F1.6(Color), 0.02Lux/F1.6(B/W)
	Electronic Shutter	NTSC:1/4~1/10000s, PAL:1/3~1/10000s, 20level	
	Signal Noise Ratio	>50dB	
	Backlight Compensation	On/Off	
	White Balance	Auto/ATW/Indoor/Outdoor/Manual	
	Day/Night	ICR	
Video & Audio	Video Compression	H.264/MPEG4	
	Image Resolution	1.3M(1280×960) / 720P(1280×720) / D1(704×576/704×480) / HD1(352×576/352×480) / CIF(352×288/352×240) / QCIF(176×144/176×128) / VGA(640×480) / QVGA(320×240) / QQVGA(160×128)	
	Encoding Speed	Main Stream: 1.3M(1~15fps), Others(1~25/30fps) Extra Stream: D1/HD1/CIF/QCIF/VGA/QVGA/qqvga(1~25/30fps)	
	Audio Compression	G.711a(32Kbps) / AMR(10.2Kbps)	
	Audio Mode	Off/Audio input/Audio output	
	Bit Rate	32K~8Mbps	
Dome Drive	Pan/Tilt Range	Horizontal: 0°~360°endless, Vertical: -2°~90°auto flip	
	Manual Control Speed	Horizontal: 0.1°~300°/s, Vertical: 0.1°~150°/s	
	Preset Speed	Horizontal: 400°/s, Vertical: 180°/s	
	Preset Positions	200	
	PTZ Mode	5 Auto Scan, 8 Tour, 5 Pattern	
	Alarm	7/2 alarm input/output, Triggering Preset/Tour/Pattern/Scan	
	Auto Speed Control	Automatic focal length/speed adaptation	
	3D Positioning	Yes	
	Protocol	DH-SD, Pelco-P/D	
	Fan & Heater	Automatic fan and heater control	
Network	Ethernet	RJ-45(10/100 Base-T)	
	Network Protocol	TCP/IP, UDP, DHCP, DNS, IP Filter, PPPOE, DDNS, FTP, Email, Alarm Server	
	Remote Operation	Monitor, PTZ control, Playback, System setting, File download, Log information, Maintenance & Upgrade	
General	Processor	TI DaVinci Series DSP	
	Operating System	Embedded LINUX	
	Resource	Simultaneous remote monitoring, local recording and remote control	
	User Interface	WEB, DSS, PSS	
	Protection	IP66	
	Protection Circuit	3000V lightning protection, surge protection	
	Working Temperature	-40~60°C	
	Working Humidity	10%~90%	
	Power Supply	AC 24V/3A(±10%)	
	Power Consumption	15W(normal), 50W(heater working)	
Weight	5.0kg		